

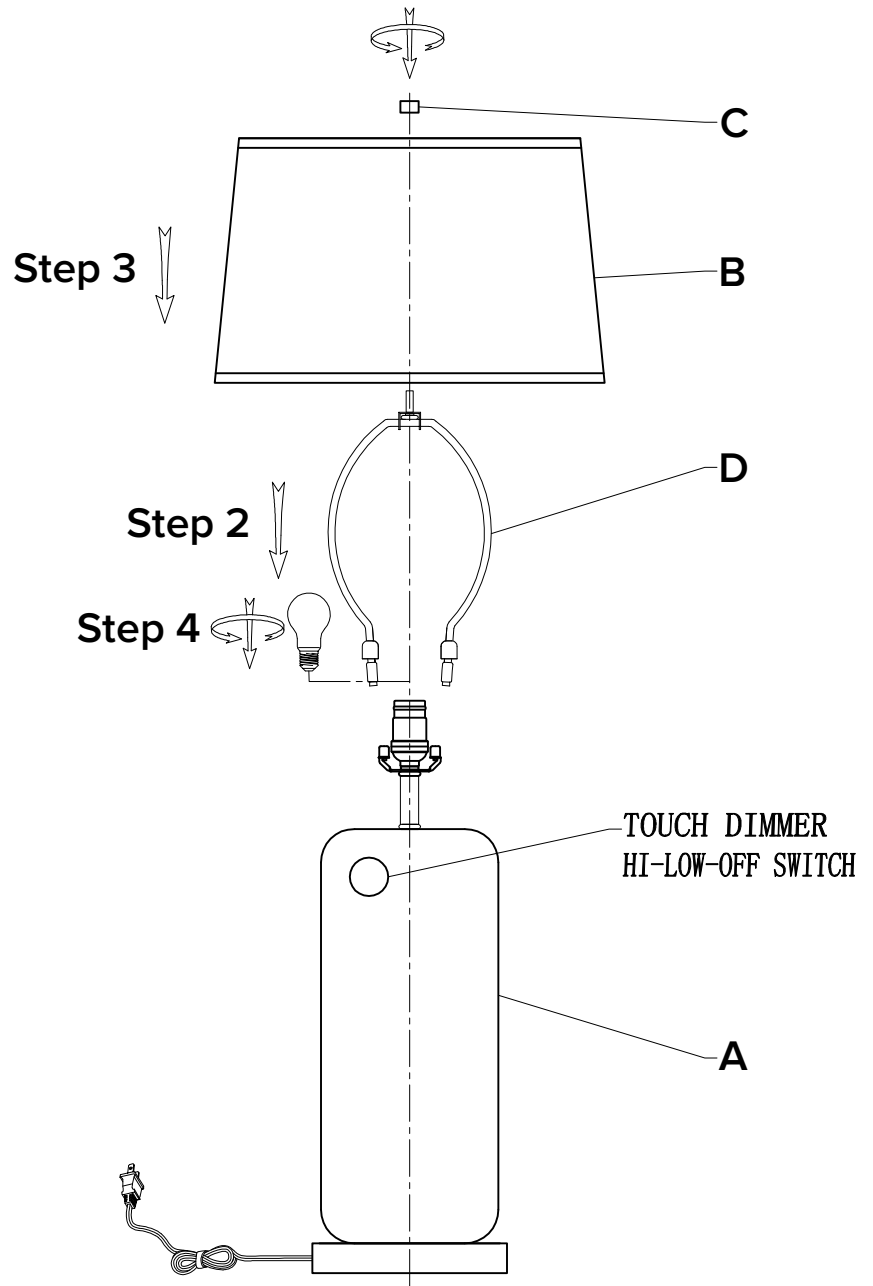
# ASSEMBLY INSTRUCTIONS LAUREL TABLE LAMP 1011513

**Step 1**  
Carefully remove all lamp parts from the box and spread on a flat clean surface

**Step 2**  
Install harp (D) onto harp holder assembled on lamp body (A).

**Step 3**  
Attach shade (B) to harp (D), secure in place by screwing finial (C) .

**Step 4**  
Insert 100W type A bulb - NOT INCLUDED.



## IMPORTANT SAFETY INSTRUCTIONS

This lamp has a polarized plug (one blade is wider than the other) as a safety feature to reduce the risk of electric shock. This plug will fit in a polarized outlet only one way. If the plug does not fit fully in the outlet, reverse the plug. If it still does not fit, contact a qualified electrician. Never use with an extension cord unless the plug can be fully inserted. Do not alter the plug.

## IMPORTANTES INSTRUCCIONES DE SEGURIDAD

Esta lampara tiene un enchufe polarizado (una navaja es mas ancha que la otra) como forma de seguridad para reducir el riesgo de un shock electrico. Este enchufe polarizado entrara en una conexfon solo de un lado. Si el enchufe no entra en la conexfon trate al reverso. Si aun asi no entra, contacte a un electricista calificado. Nunca use una extension a menos que el enchufe pueda ser conectado completamente. No altere el enchufe.